

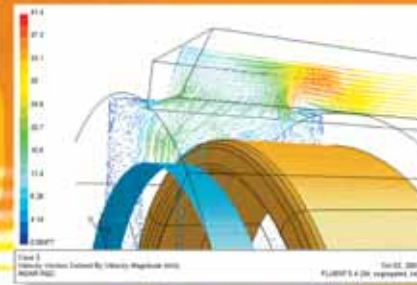
Indar

RESEARCH AND DEVELOPMENT TO YOUR SERVICE

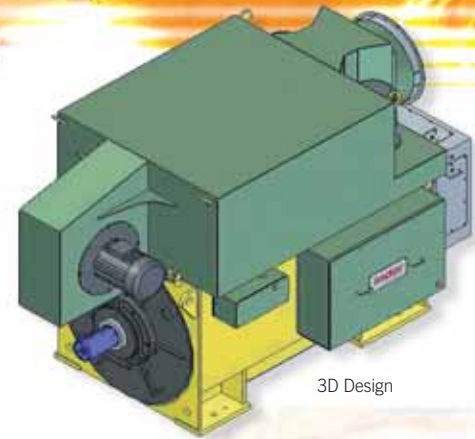
Cooperation with the client forms part of the philosophy of the company, with a personalised and unique treatment forming the basis of the relationship, and with a clear common purpose. To develop products and services adapted to the characteristics of each project.



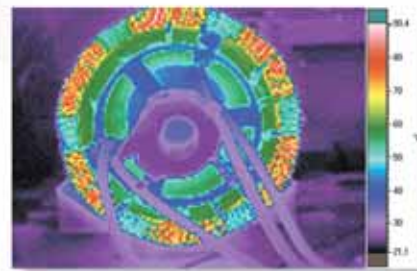
Electromagnetic flow simulation



Fluid dynamics simulations



3D Design



Rotor thermographs

For this purpose the R+D+i support unit is made up of highly qualified personnel, and has the most advanced computer resources for the design and development of generators, such as mechanical finite element simulation programs, electromagnetic flow and fluid-dynamic simulations. Also, close cooperation with centres of technological development and universities allows us to develop new products.

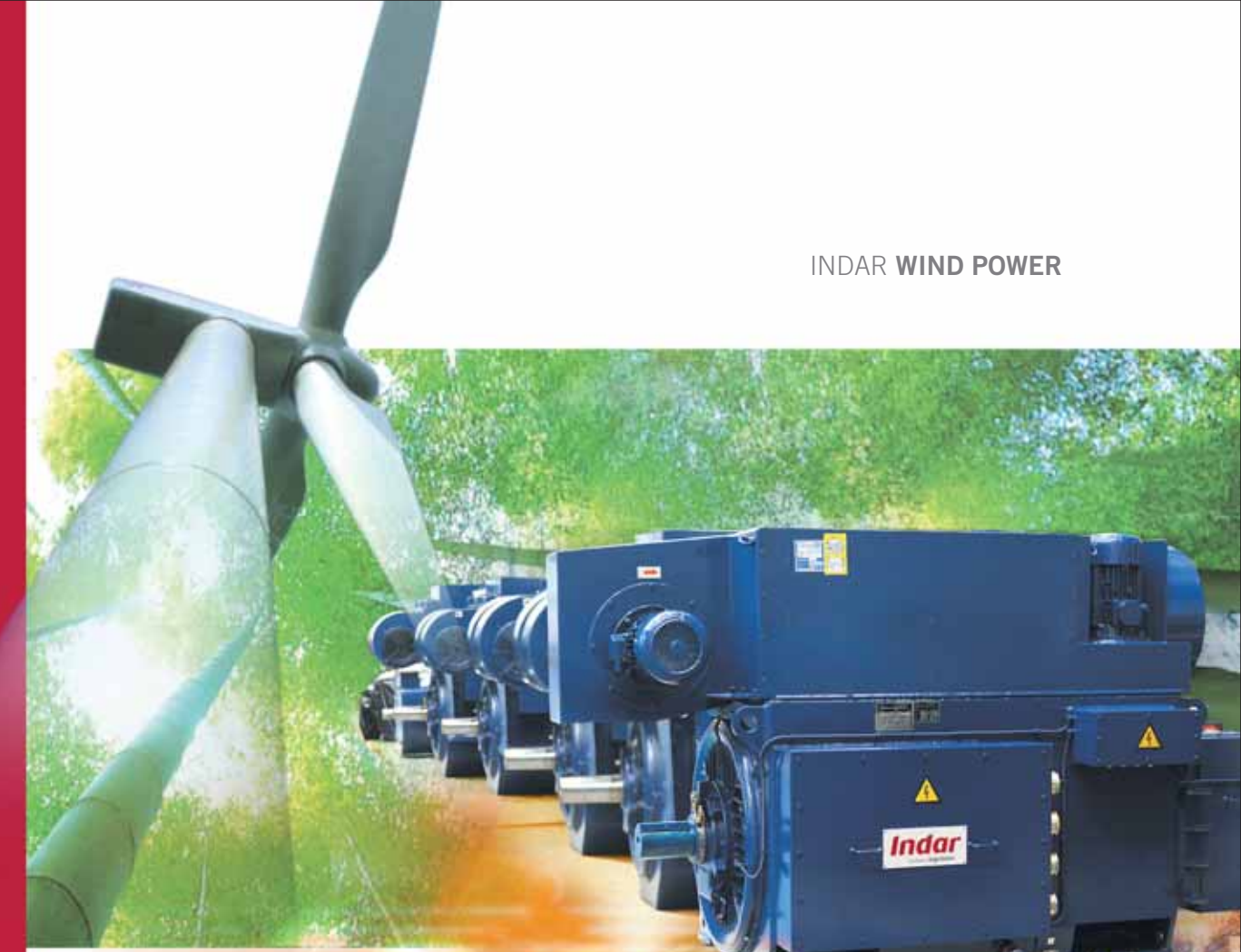
Indar Electric, S.L.
Polígono Industrial Txara, s/n
20200 BEASAIN - ESPAÑA
Tel.: 34 943 02 82 00
Fax.: 34 943 02 82 04
electric@indar.ingetteam.com

Indar

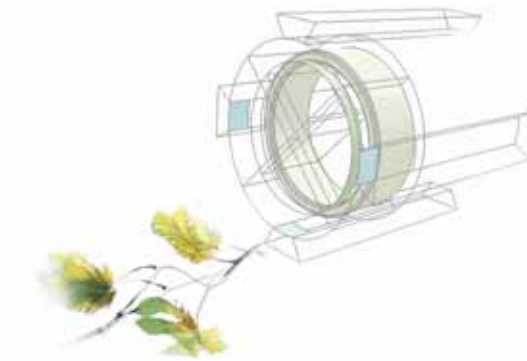
Una Marca **Ingeteam**

Indar Electric, S.L.
www.indar.net

INDAR WIND POWER



WIND POWER
GENERATION



Indar

Indar Electric, an Ingeteam company, has worked for over sixty years in the design, manufacture and supply of electrical rotating machines.

The experience acquired during this time allows us to provide a wide range of products, developed from our own technology, placing us in a position of leadership both in the spanish and international markets.

The more than 8,000 generators installed throughout all the world are a clear exponent of our competitiveness and productive capability.

One of the most important factors of Indar Electric is the quality offered in products and services, guaranteed by the ISO 9001 and 14001 certificates, as well as the high level of involvement of all of the personnel that directly and indirectly take part in the design and manufacturing processes.

In this context, Ingeteam has decidedly opted for the EFQM model, as a framework for competitiveness in the coming years, with the aim of offering excellence in our products and services.

RANGE OF WIND GENERATORS

The range of generators is planned to be adapted to the requirements of our clients.



2,000 kW
1,500 rpm, 690 V.
Asynchronous, double fed.



2,500 kW
1,000 rpm, 690 V.
Asynchronous, double fed.



850 kW
1,500 rpm, 690 V.
Asynchronous, double fed.



1,500 kW
1,000 rpm, 12,000 V.
Asynchronous, double fed.



1,750 kW
1,500 rpm, 690 V.
Asynchronous, double fed.

- Generators of power levels from 850 kw up to 6 MW.
- Asynchronous double fed or synchronous with permanent magnets and technology xDFM, Clean Power Series.
- Air and water cooled.
- For all machines up to isolation H.
- Voltage from 690 V up to 15 kV.
- For variable flow turbines.
- Various fabrication structures and forms.
- Noise level adjusted to client needs.
- Compliance with international standards: IEC, NEMA. Etc.

